



STORAGE & MATERIAL HANDLING

CONTRACTORS RELY ON GREENLEE STORAGE AND MATERIAL HANDLING SOLUTIONS TO KEEP PRODUCT SAFE. FROM SMALL CHESTS TO LARGE FIELD OFFICES, AND NOW WITH NEWLY-DESIGNED ERGONOMIC FEATURES, GREENLEE STORAGE AND HANDLING SOLUTIONS ARE BUILT AS TOUGH AS THE TRADE.

Contents

| | |
|-------------------------|-----|
| Chests | 428 |
| Slant-Top Boxes | 429 |
| Flat-Top Boxes | 430 |
| Utility Cabinets | 431 |
| Mobile Workbench | 432 |
| Welder's Boxes | 433 |
| Replacement Parts | 433 |
| Compact Field Office | 435 |
| Wire And Cable Handling | 436 |
| GMX Material Carts | 441 |
| Reel Rollers | 444 |
| Rope Stands | 444 |



© Registered: The color green for job boxes is a registered trademark of Greenlee Textron Inc.
* Items in box are not included.
Master Lock® is a registered trademark of the Master Lock Company.



STORAGE

Chests



2460

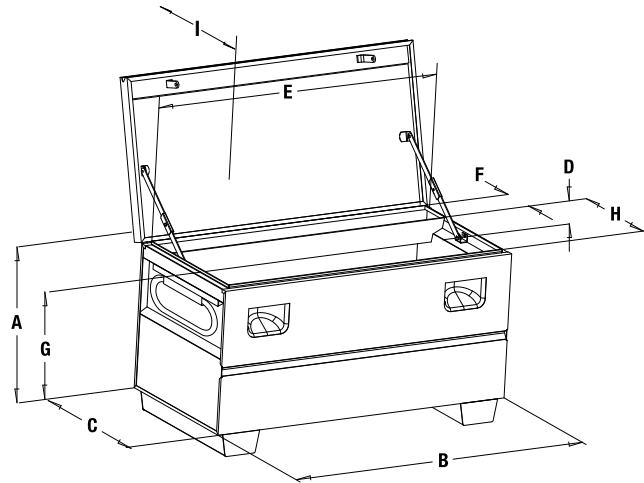


Optional casters available for increased mobility. See page 433 for options

- Recessed and concealed lock protectors for maximum security against drilling and cutting lock (Model 1332 and 1636 one lock protector only)
- Finger-groove lid handle for easy opening
- Convenient storage tray on back wall for small items (Models 2448, 2460, 2472, 3048)
- "X" models do not include rear tray for larger opening
- Heavy-duty piano hinges with non-removable pin
- Patented, ergonomically designed fold-down recessed handles
- Angled 3-1/2" high support skids feature threaded holes for easy caster installation
- Recommend #1 and #5 Master Lock® padlocks or equivalent
- Made in the USA

SPECIFICATIONS 1332 1636 2142 2448 2460 3048 2472

| | | | | | | | |
|--------------------------------|--------------------|---------------------|---------------------|---------------------|---------------------|---------------------|---------------------|
| Capacity FT³ | 4.9 | 6.7 | 9.7 | 16.6 | 20.8 | 25 | 25 |
| Weight | 78 lbs. (35 kg) | 101 lbs. (46 kg) | 124 lbs. (56 kg) | 159 lbs. (72 kg) | 184 lbs. (83 kg) | 200 lbs. (91 kg) | 214 lbs. (97 kg) |



DIMENSIONS

| | A | B | C | D | E | F | G | H | I |
|--------------|-----|-----|-----|----|-------|----|-----|-------|--------|
| 1332 | 14" | 32" | 19" | — | 29.5" | — | — | — | 16.75" |
| 1636 | 17" | 36" | 19" | — | 33.5" | — | — | — | 16.75" |
| 2142 | 20" | 42" | 20" | — | 39.5" | — | — | — | 17.75" |
| 2448 | 25" | 48" | 24" | 4" | 45.5" | 4" | 19" | 15.5" | 21.75" |
| 2448X | 25" | 48" | 24" | — | 45.5" | — | — | 15.5" | 21.75" |
| 2460 | 25" | 59" | 24" | 4" | 57.5" | 4" | 19" | 15.5" | 21.75" |
| 2460X | 25" | 59" | 24" | — | 57.5" | — | — | 15.5" | 21.75" |
| 3048 | 30" | 48" | 30" | 4" | 45.5" | 4" | 24" | 21.5" | 27.75" |
| 3048X | 30" | 48" | 30" | — | 45.5" | — | — | 21.5" | 27.75" |
| 2472 | 25" | 72" | 24" | 4" | 69.5" | 4" | 19" | 15.5" | 21.75" |
| 2472X | 25" | 72" | 24" | — | 69.5" | — | — | 15.5" | 21.75" |

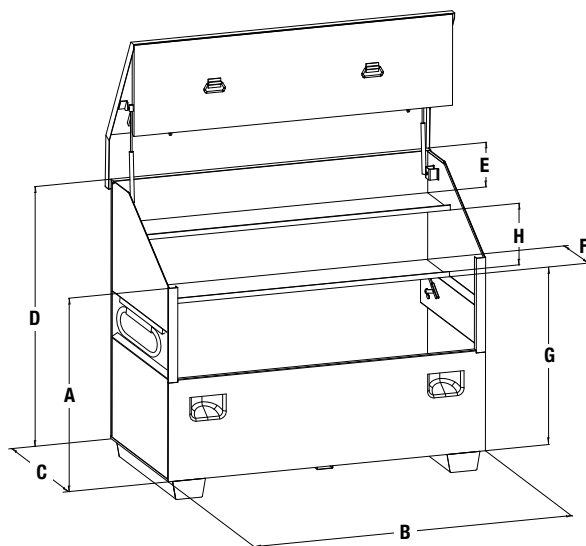
| CAT. NO. | UPC NO. | DESCRIPTION |
|----------|---------|----------------------------|
| 1332 | 38717 | Storage chest without tray |
| 1636 | 38718 | Storage chest without tray |
| 2142 | 31651 | Storage chest without tray |
| 2448 | 23273 | Storage chest |
| 2448X | 00852 | Storage chest without tray |
| 2460 | 23363 | Storage chest |
| 2460X | 00858 | Storage chest without tray |
| 3048 | 23362 | Storage chest |
| 3048X | 00859 | Storage chest without tray |
| 2472 | 07483 | Storage chest |
| 2472X | 00853 | Storage chest without tray |

Slant-Top Boxes



- Large capacity storage with traditional slant-top design
- Recessed and concealed lock protectors provide maximum security against drilling and cutting locks
- Channel reinforcements on lid, lock side panels into lid for added security when closed
- Hinged lower shelf enables storage of larger items
- Angled 3-1/2" high support skids feature threaded holes for easy caster installation
- Angled handle recess prevents pinch points
- Features two reinforced steel shelves with large lip to prevent items from rolling off (Model 2260, one shelf only)
- Model 2260 comes with lid support to form waist-high, flat work area
- Patented, ergonomically designed fold-down recessed handles
- Recommend #1 and #5 Master Lock® padlocks or equivalent
- Made in the USA

| SPECIFICATIONS | 2260 | 3648 | 3660 |
|--------------------------|-------------------|-------------------|-------------------|
| Capacity Ft ³ | 32 | 34 | 44 |
| Weight | 273 lbs. (124 kg) | 270 lbs. (123 kg) | 314 lbs. (142 kg) |



Hinged Lower Shelf

DIMENSIONS

| | A | B | C | D | E | F | G | H |
|-------------|-----|-----|-----|-----|-----|-----|-----|-----|
| 2260 | 32" | 22" | 32" | 36" | 12" | 12" | 21" | — |
| 3648 | 34" | 36" | 30" | 48" | 5" | 12" | 27" | 11" |
| 3660 | 44" | 36" | 30" | 48" | 5" | 12" | 27" | 11" |

| CAT. NO. | UPC NO. | DESCRIPTION |
|----------|---------|---------------|
| 2260 | 23270 | Slant-top box |
| 3648 | 23276 | Slant-top box |
| 3660 | 23196 | Slant-top box |



Optional casters available for increased mobility. See page 433 for options

Flat-Top Boxes



4872



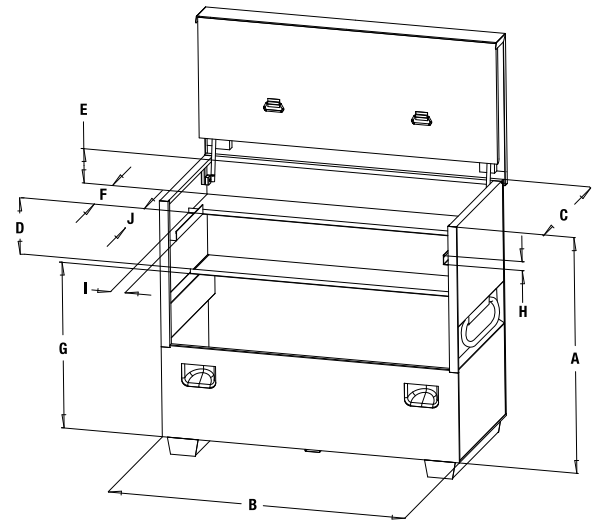
Hinged Lower Shelf



Optional casters available for increased mobility. See page 433 for options

- Flat-top design provides more storage capacity for tall, bulky items, plus a large work surface for jobsite plans
- Recessed and concealed lock protectors for maximum security against drilling and cutting lock
- Channel reinforcements on lid, lock side panels into lid for added security when closed
- Hinged lower shelf allows for easy storage of larger objects (except Model 3360)
- Side-wall storage (except Model 3360)
- Double hinge cover folds up and out of the way
- Angled 3-1/2" high support skids feature threaded holes for easy caster installation
- Patented, ergonomically designed fold-down recessed handles
- Recommend #1 and #5 Master Lock® padlocks or equivalent
- Made in the USA

| SPECIFICATIONS | 3360 | 4848 | 4860 | 4872 |
|--------------------------|----------------------|----------------------|----------------------|----------------------|
| Capacity FT ³ | 34.5 | 40 | 50 | 60 |
| Weight | 256 lbs. (116 kg) | 283 lbs. (128 kg) | 358 lbs. (162 kg) | 373 lbs. (169 kg) |



DIMENSIONS

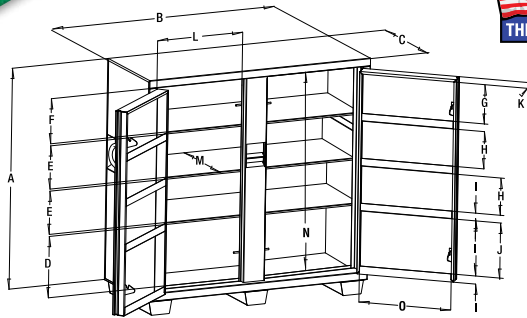
| | A | B | C | D | E | F | G | H | I | J |
|------|-----|-----|-----|-----|-------|-----|-----|----|----|-----|
| 3360 | 33" | 59" | 30" | — | 12.5" | 12" | 20" | — | — | — |
| 4848 | 48" | 48" | 30" | 11" | 7" | 12" | 27" | 2" | 3" | 17" |
| 4860 | 48" | 59" | 30" | 11" | 7" | 12" | 27" | 2" | 3" | 17" |
| 4872 | 48" | 72" | 30" | 11" | 7" | 12" | 27" | 2" | 3" | 17" |

| CAT. NO. | UPC NO. | DESCRIPTION |
|----------|---------|--------------|
| 3360 | 38719 | Flat-Top box |
| 4848 | 35043 | Flat-Top box |
| 4860 | 35057 | Flat-Top box |
| 4872 | 07487 | Flat-Top box |

Utility Cabinets



5660LH



- Recessed and concealed lock protectors for maximum security against drilling and cutting lock
- Flush-mounted doors
- Finger-groove door handles
- Front-door storage
- Large, lower storage areas for bigger items
- Angled 3-1/2" high support skids feature threaded holes for easy caster installation
- Three 3-1/2" high support skids
- Weather-resistant design
- Open storage for shovels, picks, brooms and other long-handled tools (Model 5660LH only)
- Patented, ergonomically designed fold-down recessed handles
- Recommend #1 and #5 Master Lock® padlocks or equivalent
- Made in the USA

| SPECIFICATIONS | 5660L | 5660LH | 5760TD |
|--------------------------|-------------------|-------------------|-------------------|
| Capacity FT ³ | 46 | 46 | 59.3 |
| Weight | 389 lbs. (176 kg) | 375 lbs. (170 kg) | 441 lbs. (200 kg) |

| CAT. NO. | UPC NO. | DESCRIPTION |
|----------|---------|-----------------|
| 5660L | 38659 | Utility cabinet |
| 5660LH | 07486 | Utility cabinet |
| 5760TD | 07969 | Utility cabinet |

DIMENSIONS

| | A | B | C | D | E | F | G | H | I | J | K | L | M | N | O |
|--------|-----|-----|-----|-----|-------|-------|-----|-----|----|-----|----|-----|-------|-------|-----|
| 5660L | 56" | 59" | 24" | 15" | 10.5" | 11.5" | 10" | 10" | 2" | 14" | 3" | 23" | 20.5" | 50.5" | 24" |
| 5660LH | 56" | 59" | 24" | 15" | 10.5" | 11.5" | 10" | 10" | 2" | 14" | 3" | 23" | 20.5" | 50.5" | 24" |
| 5760TD | 56" | 59" | 30" | 15" | 10.5" | 11.5" | 10" | 10" | 2" | 14" | 3" | 23" | 26.5" | 50.5" | 24" |

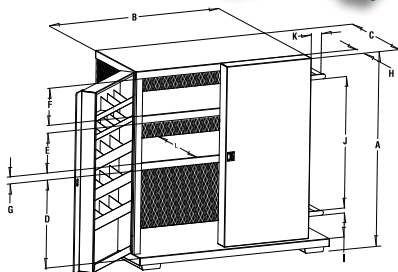


Optional casters available for increased mobility. See page 433 for options

Mesh Cabinet



5060MESH



- High-visibility mesh screen on three (3) sides
- Forty-eight (48) smaller, individual compartments, enabling storage of smaller tools and accessories
- Platform for long-handle tools
- Sturdy handle for mobility
- Supplied with two (2) swivel casters and two (2) rigid 4" (102 mm) casters for easy mobility (Model 696)
- Recommend #1 and #5 Master Lock® padlocks or equivalent
- Made in the USA

SPECIFICATIONS

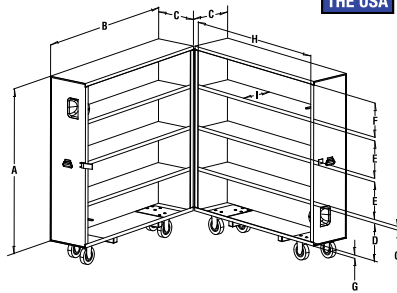
| | |
|--------------------------|-------------------|
| Capacity FT ³ | 37.3 |
| Weight | 401 lbs. (182 kg) |

| CAT. NO. | UPC NO. | DESCRIPTION |
|----------|---------|--------------|
| 5060MESH | 04460 | Mesh cabinet |

DIMENSIONS

| A | B | C | D | E | F | G | H | I | J | K | L |
|-----|-----|-----|-----|-------|-----|----|----|----|-----|------|-----|
| 52" | 48" | 28" | 22" | 10.5" | 10" | 2" | 4" | 5" | 35" | 5.5" | 23" |

Bi-Fold Cabinet



- Maximum storage capacity with minimum floor space requirements
- Four (4) individual 15" D x 14-1/2" H x 59" W (381 x 368 x 1524 mm) storage compartments on each side
- Reinforced steel shelves welded in place for added strength and durability
- All shelves feature large front lip to keep small items from rolling off
- Each bi-fold section is mounted on four casters for easy opening and closing
- Six (6) swivel and two (2) rigid 6" (152 mm) casters included for easy mobility (Models 503 and 603)
- Recommend #1 and #5 Master Lock® padlocks or equivalent
- Made in the USA

SPECIFICATIONS

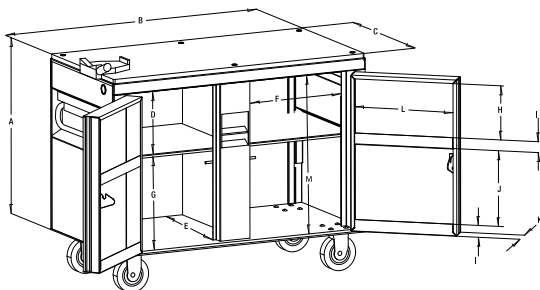
| | |
|--------------------------|-------------------|
| Capacity FT ³ | 60.4 |
| Weight | 549 lbs. (249 kg) |

DIMENSIONS

| A | B | C | D | E | F | G | H | I |
|-----|-----|-----|-----|-----|-----|----|-----|-------|
| 58" | 59" | 15" | 13" | 13" | 12" | 1" | 57" | 14.5" |

| CAT. NO. | UPC NO. | DESCRIPTION |
|----------|---------|-------------------------|
| 5860 | 35068 | Bi-Fold cabinet |
| 04339 | 04339 | Latch Repair Kit (5860) |
| 54997 | 54997 | Latch (5860) |
| 54998 | 54998 | Strike (5860) |

Mobile Workbench



- Tough composition board work surface on top with built-in chain vise and telescoping wrench stop
- Removable self-stored shelf enables storage of larger items
- Supplied with two (2) locking swivel casters and two (2) rigid 6" (152 mm) casters for easy mobility (Model 703)
- Recessed and concealed lock protectors for maximum security against drilling and cutting lock
- Finger-groove door handles
- Large lower storage areas for bigger items
- Continuous, non-removable hinge pins to prevent theft
- Patented, ergonomically designed fold-down recessed handles
- Recommend #1 and #5 Master Lock® padlocks or equivalent
- Includes heavy-duty chain vise (3548 only)
- Made in the USA

SPECIFICATIONS

| | |
|--------------------------|-------------------|
| Capacity FT ³ | 20 |
| Weight | 293 lbs. (133 kg) |

DIMENSIONS

| A | B | C | D | E | F | G | H | I | J | K | L | M |
|-----|-----|-----|-----|-------|-------|-----|------|----|-----|----|-----|-----|
| 30" | 48" | 24" | 11" | 20.5" | 17.5" | 15" | 9.5" | 2" | 13" | 3" | 17" | 27" |

| CAT. NO. | UPC NO. | DESCRIPTION |
|----------|---------|-------------------------------------|
| 3548 | 31229 | Mobile workbench with chain vise |
| 3548X | 01513 | Mobile workbench without chain vise |

Welder's Boxes

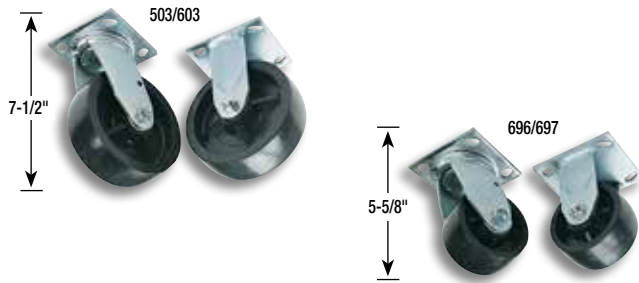


- Protects small tools and supplies and comes with a single lock hasp for use with padlock
- Compact side handles for easy portability
- Heavy-duty hinges, plus chain connector to hold lid in open position
- Recommend #1 and #5 Master Lock® padlocks or equivalent
- Made in the USA

| SPECIFICATIONS | 1230 | 1531 |
|--------------------------|-----------------|-----------------|
| Capacity FT ³ | 3.3 | 4.8 |
| Height | 12" | 15" |
| Width | 30" | 31" |
| Depth | 16" | 18" |
| Weight | 42 lbs. (19 kg) | 52 lbs. (24 kg) |

| CAT. NO. | UPC NO. | DESCRIPTION |
|----------|---------|--------------|
| 1230 | 31510 | Welder's box |
| 1531 | 23274 | Welder's box |

Replacement Parts



- Caster bolt pattern 2-7/8" x 3-1/4"
- Polyolefin-injected molded hard casters: stain-resistant, chemical-resistant and non-marking

| SPECIFICATIONS | 503 | 603 | 703 | 696 | 697 |
|----------------|-----------------------|-----------------------|-----------------------|-----------------------|-----------------------|
| Diameter | 6 in. (152 mm) | 6 in. (152 mm) | 6 in. (152 mm) | 4 in. (102 mm) | 4 in. (102 mm) |
| Tread | 2 in. (51 mm) | 2 in. (51 mm) | 2 in. (51 mm) | 2 in. (51 mm) | 2 in. (51 mm) |
| Capacity | 2000 lbs. (907 kg) | 2000 lbs. (907 kg) | 2000 lbs. (907 kg) | 1600 lbs. (726 kg) | 1600 lbs. (726 kg) |
| Ship Weight | 22 lbs. (10 kg) | 20 lbs. (9 kg) | 20 lbs. (9 kg) | 13 lbs. (6 kg) | 15 lbs. (7 kg) |

CASTER SELECTION CHART

| STORAGE BOX CAT. NO. | CASTER CAT. NO. | | | |
|-------------------------|-----------------|----------|----------|----------|
| | 503 | 603 | 703 | 696 |
| 1332 | ✓ | ✓ | ✓ | ✓ |
| 1636 | ✓ | ✓ | ✓ | ✓ |
| 2142 | ✓ | ✓ | ✓ | ✓ |
| 2448 | ✓ | ✓ | ✓ | ✓ |
| 2460 | ✓ | ✓ | ✓ | ✓ |
| 3048 | ✓ | ✓ | ✓ | ✓ |
| 2472 | ✓ | ✓ | ✓ | ✓ |
| 1230 | | | | |
| 1531 | | | | |
| 5060MESH | ✓ | ✓ | ✓ | Included |
| 3360 | ✓ | ✓ | ✓ | ✓ |
| 4848 | ✓ | ✓ | ✓ | ✓ |
| 4860 | ✓ | ✓ | ✓ | ✓ |
| 4872 | ✓ | ✓ | ✓ | ✓ |
| 2260 | ✓ | ✓ | ✓ | ✓ |
| 3648 | ✓ | ✓ | ✓ | ✓ |
| 3660 | ✓ | ✓ | ✓ | ✓ |
| 5660L | ✓ | ✓ | ✓ | ✓ |
| 5660LH | ✓ | ✓ | ✓ | ✓ |
| 5760TD | ✓ | ✓ | ✓ | ✓ |
| 5860 | Included | Included | ✓ | |
| 3548 | ✓ | ✓ | Included | |
| 8060DLX | ✓ | ✓ | ✓ | ✓ |

| CAT. NO. | UPC NO. | DESCRIPTION |
|----------|---------|--|
| 503* | 28044 | 4 Swivel |
| 603* | 23405 | 2 Rigid, 2 Swivel |
| 703† | 08420 | 2 Rigid, 2 Locking Swivel |
| 696* | 15341 | 2 Rigid, 2 Swivel |
| 697* | 89189 | 4 Swivel |
| 52025978 | 20965 | Lid Support – (L) Side |
| 52025979 | 20966 | Lid Support – (R) Side |
| 08428 | 08428 | 10 mm Gas Spring Ball Stud Replacement Kit (all Slant/Flat-Tops) |
| 53950 | 53950 | Gas Springs for 2260 only |
| 53951 | 53951 | Gas Springs for 3360 only |
| 08427 | 08427 | 13 mm Gas Spring Ball Stud Replacement Kit (8060 DLX) |
| 55294 | 55294 | Replacement Gas Spring Kit – Shock and (2) Clips (8060 DLX) |
| 01886 | 01886 | Replacement Gas Spring Kit for 4872, 4848, 4860, 3648 & 3660 |

* Each caster set includes (16) 3/8-16 x 1" self-threading mounting screws.
 † Each caster set includes (16) 3/8-16 x 1" carriage bolts; (16) 3/8-16 hex nuts; (16) 3/8 lockwashers.
 Note: Screw/washer kit p/n 50062913 is necessary for mounting 703 casters on boxes other than 3548.

Field Office



8060-DLX

- Slanted work surface with lockable, concealed storage area
- Concealed lock protectors protect locks from drilling and cutting
- Weather stripping on doors to help protect documents and tools from the elements
- Lid with heavy-duty gas spring and a locking arm for ease of opening and safety
- Shelving throughout, for organizing and storing jobsite tools and supplies
- Grooved front doors for ease of opening and storage compartment access
- Patented, ergonomically designed fold-down recessed handles
- Continuous, non-removable pin hinges
- Overlapping corners, rolled edges, and strategically placed reinforcements for added strength
- Recommend #1 and #5 Master Lock® padlocks or equivalent
- Welded 16-gauge steel construction for durability
- Transportable with forklift
- Optional casters available for increased mobility
- Made in the USA

SPECIFICATIONS

Capacity FT³ 60.4
Weight 549 lbs. (249 kg)

| GAT. NO. | UPC NO. | DESCRIPTION |
|----------|---------|--------------|
| 8060-DLX | 04719 | Field Office |



Tamper-proof lock protectors (for upper and lower doors).

Slanted work surface with lockable, concealed storage area.

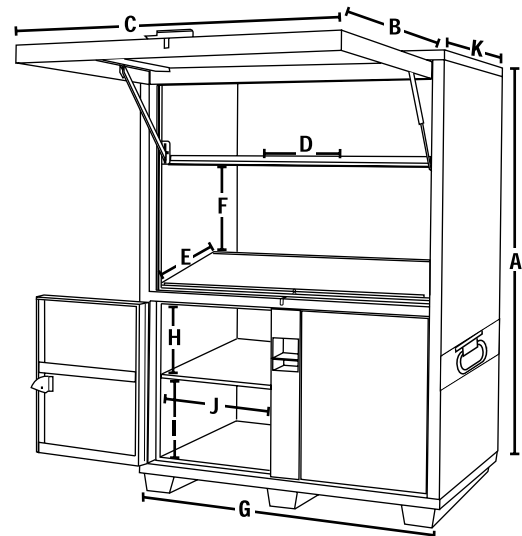
Door grooves provide a gripping surface for convenient opening.

Top door opens with a gas spring and is supported by a locking arm.

(Tools sold separately)



Optional casters available for increased mobility. See page 433 for options



DIMENSIONS

| A | B | C | D | E | F | G | H | I | J | K |
|-----|-------|-------|-------|-------|-------|-----|-----|-------|-----|-----|
| 80" | 41.6" | 54.5" | 20.6" | 26.8" | 19.2" | 59" | 14" | 15.5" | 23" | 42" |

Compact Field Office

**NEW
PRODUCT**



7060-CFO

- Narrow design fits through 36" doorways
- Automatic locking gas spring secures door in upright position
- Weather resistant stripping helps to protect against moisture getting inside the box
- Accommodates up to 55" monitors (50" x 30")
- Two-level 45 1/2" x 26 1/2" desk allows recessed use of cable and electronics or storage
- Shrouded padlock guard to improve security
- Cable pass-through holes
- Non-marking 6" casters
- Made in the USA

SPECIFICATIONS

| | |
|-------------------------------|------------------|
| Height with casters | 78" (1981 mm) |
| Height without casters | 70.5" (1791 mm) |
| Weight with casters | 470 lbs (213 kg) |
| Weight without casters | 450 lbs (204 kg) |

| CAT. NO. | UPC NO. | DESCRIPTION |
|-------------------|---------|----------------------|
| N 7060-CFO | 03964 | Compact Field Office |

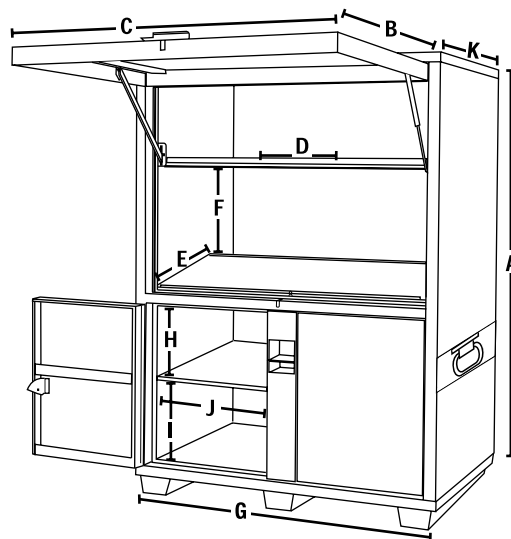
* Items in box are not included.



Shrouded padlock guard to improve security

Automatic locking gas spring secures door in upright position

Sized to fit through standard 36" doorways



DIMENSIONS

| A | B | C | D | E | F | G | H | I | J | K |
|-----|-------|-------|-------|-------|-------|-----|-----|-------|-----|-----|
| 80" | 41.6" | 54.5" | 20.6" | 26.8" | 19.2" | 59" | 14" | 15.5" | 23" | 42" |

WIRE AND CABLE HANDLING

Data Cable Caddy



9520

- Width is ideal for large diameter spools of coax, data and communications cable
- Especially handy for 6" (152 mm) wide and up to 19" (483 mm) diameter spools
- Folds down for easy storage
- Pinless design eliminates loose parts

SPECIFICATIONS

| | |
|-----------------|--|
| Size | 21" (533 mm) L x 28-1/2" (724 mm) W x 11-1/2" (292 mm) H |
| Capacity | Maximum Total Spool Weight: 100 lbs. (45 kg) Maximum Spool Diameter: 19" (483 mm) Maximum Spool Width: 24.50" (622 mm) |
| Weight | 11 lbs. (5 kg) |

| CAT. NO. | UPC NO. | DESCRIPTION |
|----------|---------|------------------|
| 9520 | 01228 | Data Cable Caddy |

BX-Armored Coiled Cable Dispenser



37218

- Dispense armored cable, flexible conduit, Greenfield® or NM-B cable fast and easy without twists or tangles
- Base rotates to dispense the cable without over pulling
- Large pulling eye rotates freely and can be used as a carrying handle when the dispenser is empty

SPECIFICATIONS

| | |
|-----------------|---|
| Size | 13-1/2" (343 mm) H x 26" (660 mm) D |
| Capacity | One 250' (76 m) coil of 14/2, 14/3, 12/2, or 12/3 armored cable or romex. |
| Weight | 32 lbs. (14 kg) |

| CAT. NO. | UPC NO. | DESCRIPTION |
|----------|---------|-------------------------|
| 37218 | 37218 | Armored Cable Dispenser |

Caddy Basket Cable Dispenser



9525

STUD MOUNT CADDY

- Fits both 2x4 and 2x6 studs
- Dispense coils of NM-B or armored cable
- Swivel eyelet eliminates tangles

SPECIFICATIONS

| | |
|---------------------|---|
| Size | 29-1/2" (749 mm) H x 20-3/4" (527 mm) W |
| Max Capacity | 100 lbs. (45.4 kg) |
| Weight | 10.5 lbs. (4.8 kg) |

| CAT. NO. | UPC NO. | DESCRIPTION |
|----------|---------|----------------------|
| 9525 | 02070 | Stud Mount Dispenser |

Hanging Cable Dispenser



- Hangs virtually anywhere
- Rugged aluminum, steel, and nylon construction
- Collapses for easy storage
- Storage bag included

SPECIFICATIONS

| | |
|----------------------|------------------------------------|
| Length Set Up | 37-1/2" (953 mm) |
| Width Set Up | 23-1/2" (597 mm) |
| Capacity | 250' of NM or MC cable up to 75 lb |
| Weight | 3-1/2 lbs. (1.6 kg) |

| CAT. NO. | UPC NO. | DESCRIPTION |
|----------|---------|-------------------------|
| 9522 | 12671 | Hanging Cable Dispenser |

6-Spindle Wire Caddy



- All steel welded frame with 6 reel spindles and feeding eye
- Angled spindles keep reels in place without locks and help brake the reel while paying out
- Mobile, two (2) fixed wheels and one (1) that swivels and locks, allow easy movement and control
- Fits through a 30" (762 mm) doorway

SPECIFICATIONS

| | |
|-----------------|---|
| Size | 39" (990 mm) L x 30" (762 mm) W x 31" (787 mm) H |
| Capacity | Six 2,500' (762 m) spools up to 18" (457 mm) in diameter Maximum Spool Width: 13" (330 mm) |
| Weight | 88 lbs. (40 kg) |

| CAT. NO. | UPC NO. | DESCRIPTION |
|----------------|---------|-------------------|
| 909 | 22875 | Wire Dispenser |
| R 52284 | 52284 | Swivel Caster (1) |
| R 52285 | 52285 | Wheel (2) |

Wire Dispenser



- All welded steel construction
- Includes two (2) fixed and two (2) swivel locking heavy-duty casters
- The spool rack consists of ten (10) spindles and an adjustable guide loop, and can be turned 360° independent of the base
- Spindles are angled to contain reels and act as a brake while paying out wire
- Fits through a 32" (812 mm) opening

SPECIFICATIONS

| | |
|-----------------|---|
| Size | 36-1/4" (921 mm) L x 31-1/2" (800 mm) W x 59" (1499 mm) H |
| Capacity | Ten (10) 2500' (762 m) spools up to 18" (457 mm) in diameter Maximum Spool Width: 14.18" (360 mm) |
| Weight | 196 lbs. (89 kg) |

| CAT. NO. | UPC NO. | DESCRIPTION |
|----------------|---------|-----------------|
| 910 | 21982 | Wire Dispenser |
| R 51488 | 51488 | Caster (Rigid) |
| R 35789 | 35789 | Caster (Swivel) |

Hand Truck / Wire Cart



- Holds up to twelve (12) spools of #12 AWG wire or eight (8) spools of #10 AWG wire
- Pinless design eliminates loose parts
- Four (4) solid steel 1/2" (13 mm) spindles included
- Lay cart flat when dispensing wire, upright for use as hand truck

SPECIFICATIONS

| | |
|-----------------|--|
| Size | 48" (1219 mm) H x 28-1/4" (718 mm) W |
| Capacity | Maximum Total Spool Weight: 200 lbs (90.7 kg) 4000' (1219 m) # 10 AWG wire Maximum Spool Diameter: 7.5" (190 mm) Dolly Lift (Maximum): 250 lbs. (113 kg) Maximum Spool Width: 18" (457 mm) |
| Weight | 32 lbs. (14 kg) |

| CAT. NO. | UPC NO. | DESCRIPTION |
|----------|---------|---------------------|
| 9505 | 01205 | Hand Truck Caddy |
| 01207 | 01207 | Spindle (9505/9510) |

Deluxe A-Frame Wire Cart



- Holds up to twenty four (24) spools of #12 AWG wire or sixteen (16) spools of #10 AWG wire
- Folds for easy storage
- Pinless design eliminates loose parts
- Eight (8) solid steel 1/2" (12.7 mm) spindles included

SPECIFICATIONS

| | |
|-----------------|---|
| Size | 48" (1219 mm) H x 28-1/4" (718 mm) W |
| Capacity | Maximum Total Spool Weight: 400 lbs. (181 kg) Maximum Spool Diameter: 7.5" (190 mm) Maximum Spool Width: 18" (457 mm) |
| Weight | 47 lbs. (21 kg) |

| CAT. NO. | UPC NO. | DESCRIPTION |
|----------|---------|-----------------------------|
| 9510 | 01214 | Deluxe A-Frame Mobile Caddy |
| 01207 | 01207 | Spindle (9505/9510) |

Hand Truck / Wire Cart



- Heavy-duty wheels for durability and easy transporting
- Only 24" (609 mm) wide to fit through narrow doorways
- Comes with five 5/8" (16 mm) diameter reel spindles for storing and dispensing up to fifteen spools of #14 wire
- Storage space for three (3) spindles and clips eliminates loose parts when they are not in use
- Expander kit available to increase capacity by 60%

SPECIFICATIONS

| | | |
|---------------|-------|---|
| Size | 38733 | 46" (1168 mm) H x 24" (609 mm) W x 22-1/2" (571 mm) D |
| | 10462 | 41" (1041 mm) H x 12-5/8" (321 mm) W |
| Weight | 38733 | 58 lbs. (26 kg) |
| | 10462 | 15.7 lbs. (7 kg) |

WIRE CAPACITY CHART

| NUMBER OF SPOOLS | | MAXIMUM SPOOL DIAMETER | MAXIMUM SPOOL WIDTH | TYPICAL WIRE LENGTH |
|------------------|---------------------|------------------------|---------------------|---------------------|
| 38733 WIRE CART | WITH 10462 EXPANDER | | | |
| 15 | 24 | 7" (178 mm) | 5-3/8" (137 mm) | 500 ft. (152 m) |
| 10 | 16 | 7" (178 mm) | 8" (203 mm) | 500 ft. (152 m) |
| 3 | 5 | 12" (305 mm) | 16-3/8" (416 mm) | 2,500 ft. (762 m) |
| 3 | 3 | 14" (356 mm) | 16-3/8" (416 mm) | 2,500 ft. (762 m) |
| 2 | 2 | 22" (559 mm) | 16-3/8" (416 mm) | 1,000 ft. (305 m) |

| CAT. NO. | UPC NO. | DESCRIPTION |
|----------------|---------|----------------------|
| 38733 | 38733 | Hand Truck Wire Cart |
| A 10462 | 10462 | Expander Kit |
| R 50303 | 50303 | Hitch Clip |
| R 38774 | 38774 | Spindle (38733) |

Wire Cart



- Large capacity, excellent for storing, transporting or feeding wire
- Save space, use and store vertically or horizontally
- Five (5) strong reel axles with spring clip retainers plus two (2) positions for axle storage allows you to configure for large reels with no loose parts
- Strong, yet lightweight, tubular steel welded construction with rugged 8" (203 mm) wheels
- Will pass through a 28" (711 mm) opening

SPECIFICATIONS

| | |
|-----------------|--|
| Size | 54-1/2" (1384 mm) L x 27" (685 mm) W x 26-1/2" (673 mm) H when horizontal |
| Capacity | Six (6) 2,500' (762 m) spools up to 16" (406 mm) in diameter Fifteen (15) 500' (152 m) spools up to 8" (203 mm) in diameter Max. Spool Weight: 550 lbs. Maximum Spool Width: 24" (610 mm) |
| Weight | 62 lbs. (28 kg) |

| CAT. NO. | UPC NO. | DESCRIPTION |
|----------------|---------|------------------------------|
| 911 | 31518 | Wire Cart |
| R 31523 | 31523 | Reel Shaft for 911 Wire Cart |
| R 50303 | 50303 | Hitch Clip |

Cable Reel Transporter



- All steel welded frame with heavy-duty wheels
- Unique design provides easy setup for cable payout
- Handle folds to save space when using as a dispenser

SPECIFICATIONS

| | |
|-----------------|---|
| Size | 63" (1600 mm) L x 29-7/8" (759 mm) W x 26-3/4" (679 mm) H when horizontal |
| Capacity | Reels of cable or BX up to 20" (508 mm) W and 40" (1016 mm) in diameter maximum total reel weight 300 lbs. (136 kg) |
| Weight | 110 lbs. (50 kg) |

| CAT. NO. | UPC NO. | DESCRIPTION |
|----------|---------|-----------------------------|
| 916 | 32935 | Cable Reel Transporter |
| 33035 | 33035 | Spindle for 916 Transporter |
| 05630 | 05630 | Wheel Kit (2) |
| 05631 | 05631 | Axle Kit |

Conduit and Pipe Storage Rack



- Easily stacks for storage and transportation of multiple units
- High strength steel frame holds up to 1000 lbs of material
- Heavy-Duty 6" casters (2 rigid, 2 swivel)
- Foldable material trees
- Stacking block securely fits in tree stock to prevent tumbling

SPECIFICATIONS

| | |
|--------------------|--|
| Capacity | 1000 lbs. (454 kg) |
| Dimensions | 58-1/2" (1486 mm) L x 34" (864 mm) W x 63-1/2" (1613 mm) H |
| Folded Down | 58-1/2" (1486 mm) L x 34" (864 mm) W x 19" (483 mm) H |
| Weight | 113 lbs. (51 kg) |

| CAT. NO. | UPC NO. | DESCRIPTION |
|----------|---------|---|
| 668 | 15343 | Mobile Conduit and Pipe Rack with 603 casters |
| 503 | 28044 | 6" (152 mm) Diameter Caster Set, 4 Swivel |
| 603 | 23405 | 6" (152 mm) Diameter Caster Set, 2 Swivel and 2 Rigid |

Pipe Cart



- Easy, one-person operation saves time and money
- Move standard 20 ft. (6.1 m) lengths of pipe
- Large 3" x 12" (76 mm x 305 mm) wheels
- Heavy-duty steel construction for long service life

SPECIFICATIONS

| | |
|-----------------|--|
| Capacity | 20" (508 mm) Diameter – 1000 lbs. (454 kg) |
|-----------------|--|

| CAT. NO. | UPC NO. | DESCRIPTION |
|----------|---------|---------------------------|
| 36745 | 36745 | Pipe Cart |
| 02182 | 02182 | Wheel Replacement Kit (1) |

GMX MATERIAL CARTS

Material Bundler

NEW PRODUCT

GMX-670K



- Carry and store full bundles of conduit
- Designed to fit through standard 36" doorways
- Easily loaded with a forklift - unload at waist height
- Increased load capacity - up to 2,500 lbs
- Size: 48.1" (1221.7 mm) L x 28.3" (718.8 mm) W x 36.4" (924.5 mm) H
- 8" casters (2 rigid, 2 swivel)

| CAT. NO. | UPC NO. | DESCRIPTION |
|-------------------|---------|---------------------------------|
| N GMX-670K | 02421 | Material Bundler Cart Kit |
| N GMX | 01832 | GMX Multi-Purpose Base |
| N CS8 | 01853 | 8" Swivel Caster w/ Brake |
| N GMX-670 | 01835 | Material Bundler Attachment Set |

Wire Dispenser

NEW PRODUCT

GMX-910K



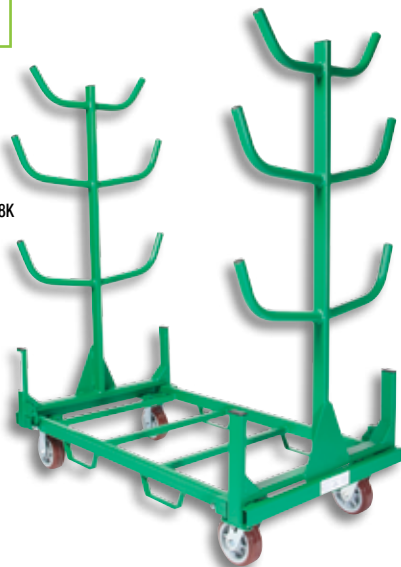
- Handles up to 14 x 2,000' spools
- Adjustable, removable spindles, rated at 125 lbs. per spindle
- Wire organizer prevents tangles
- Additional spindles available (GMX-A1, GMX-A2)
- Size: 63.5" (1612.9 mm) L x 31.5" (800.1 mm) W x 36" (939.8 mm) H
- 6" casters (2 rigid, 2 swivel)

| CAT. NO. | UPC NO. | DESCRIPTION |
|-------------------|---------|---|
| N GMX-910K | 02422 | Wire Dispenser Cart Kit |
| N GMX | 01832 | GMX Multi-Purpose Base |
| N CS6 | 02429 | 6" Swivel Caster |
| N GMX-910 | 01836 | Wire Dispenser Attachment Set (incl. five spindle sets) |
| N GMX-A1 | 01839 | Spindle Set (for two spools) |
| N GMX-A2 | 01841 | Extended Spindle Set (for two spools) |

Material Tree

NEW PRODUCT

GMX-668K



- Greater Storage
- Seven bins to hold long construction materials
- 1,600 lbs. capacity (up to 400 lbs. per arm set)
- Optimized load height
- Size: 48.5" (1231.9 mm) L x 28.3" (718.8 mm) W x 55" (1397 mm) H
- 6" casters (2 rigid, 2 swivel)

| CAT. NO. | UPC NO. | DESCRIPTION |
|-------------------|---------|------------------------------|
| N GMX-668K | 02421 | Material Tree Cart Kit |
| N GMX | 01832 | GMX Multi-Purpose Base |
| N CS6 | 02429 | 6" Swivel Caster |
| N CR6 | 02428 | 6" Rigid Caster |
| N GMX-668 | 01834 | Material Tree Attachment Set |

Shelving

NEW PRODUCT

GMX-663K



- Mobile supply station
- Removable shelves
- Reversible shelf with lip
- Capacity: 400 lb. per shelf
- Size: 50.1" (1272.5 mm) L x 28.3" (718.8 mm) W x 60.2" (1529 mm) H
- 8" casters (2 rigid, 2 swivel)

| CAT. NO. | UPC NO. | DESCRIPTION |
|----------|---------|------------------------------|
| GMX-663K | 02859 | Shelving Cart Kit |
| GMX | 01832 | GMX Multi-Purpose Base |
| CS8 | 01853 | 8" Swivel Caster |
| CR8 | 02564 | 8" Rigid Caster |
| GMX-663 | 01838 | Material Tree Attachment Set |

Flatbed

NEW PRODUCT

GMX-661K



- Ultimate versatility
- Base rated at 2,500 lbs load capacity
- Removable handle
- Includes 10" casters
- Size: 57.9" (1470.6 mm) L x 28.3" (718.8 mm) W x 32.7" (830.5 mm) H
- 10" casters (2 rigid, 2 swivel)

| CAT. NO. | UPC NO. | DESCRIPTION |
|----------|---------|-------------------------------|
| GMX-661K | 02425 | Flatbed Cart Kit |
| GMX | 01832 | GMX Multi-Purpose Base |
| CST10 | 01847 | 10" All Terrain Swivel Caster |
| CRT10 | 01843 | 10" All Terrain Rigid Caster |
| GMX-661 | 01833 | Flatbed Attachment Set |

Caster Selection

NEW PRODUCT



- 4" Smooth, hard surfaces
Can rest for long periods without deforming wheels
- 6" Smooth, hard surfaces with obstructions
Optional brake available
Can rest for long periods without deforming wheels
- 8" Rough, textured surfaces
Swivel-lock changes from rigid to swivel with ease
(Brake included in swivel)
- 10" Smooth hard surfaces
Semi-pneumatic tire for outdoor applications

| CAT. NO. | UPC NO. | DESCRIPTION |
|----------|---------|-------------------------------|
| CR4 | 02426 | 4" Rigid Caster |
| CS4 | 02427 | 4" Swivel Caster |
| CR6 | 02428 | 6" Rigid Caster |
| CS6 | 02429 | 6" Swivel Caster |
| CSBK | 02431 | 6" Caster Brake |
| CR8 | 02564 | 8" Ridge Caster |
| CS8 | 01853 | 8" Swivel Caster w/ Brake |
| CRT10 | 01843 | 10" All Terrain Rigid Caster |
| CST10 | 01847 | 10" All Terrain Swivel Caster |
| 02532 | 02532 | Replacement Caster Hook |

Screw-Type Reel Stands



683

- Wide, welded steel base for added stability with four 5/8" mounting holes
- Rollers fit in the spindle groove to keep the spindle in place and turning freely
- Two stands and a spindle are required for a complete setup

SPECIFICATIONS

| | |
|-----------------|---|
| Size | 683 - 24" × 21" (610 × 533 mm) base, 54" (1372 mm) maximum height 687 - 15" × 15" (381 × 381 mm) base, 28" (711 mm) maximum height |
| Capacity | 683 - 2,500 lbs. (1134 kg) each, 46" - 96" (1168 × 2438 mm) reel diameter 687 - 2,500 lbs. (1134 kg) each, 28" - 56" (711 × 1422 mm) reel diameter |
| Weight | 683 - 42 lbs. (19 kg) 687 - 22 lbs. (10 kg) |

| CAT. NO. | UPC NO. | DESCRIPTION |
|----------------|---------|--------------------------------------|
| 683 | 15372 | Reel Stand 22" - 54" (559 - 1372 mm) |
| 687 | 17076 | Reel Stand 13" - 27" (330 - 711 mm) |
| A 684 | 15375 | Spindle for 683 Reel Stand |
| A 647 | 15321 | Spindle for 687 Reel Stand |
| R 25591 | 25591 | Stop Pin (683 - 2; 687 - 1) |

Ratchet-Type Reel Stand



656

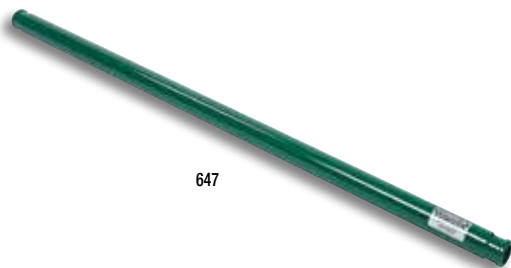
- Ratchet mechanism to easily raise or lower the height
- Rollers fit in the spindle groove to keep the spindle in place and turning freely
- Two stands and a spindle are required for a complete setup

SPECIFICATIONS

| | |
|-----------------|---|
| Size | 24-1/2" × 23" (622 mm × 584 mm) base, 46-5/8" (1184 mm) maximum height |
| Capacity | 3,750 lbs. (1701 kg) each 58" - 90" (1473 mm - 2286 mm) reel diameter |
| Weight | 87 lbs. (39 kg) |

| CAT. NO. | UPC NO. | DESCRIPTION |
|----------------|---------|---|
| 656 | 21979 | Ratchet Reel Stand 28" - 46-5/8" (711 mm - 1184 mm) |
| A 657 | 21980 | Spindle for 656 Reel Stand |
| R 30291 | 30291 | Handle with Grip |

Reel Stand Spindles



647

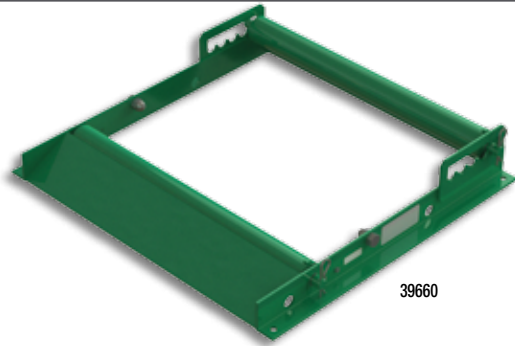
- Steel spindles with grooves to fit reel stand rollers

SPECIFICATIONS

| | |
|-----------------|--|
| Size | 647 - 2-3/8" diameter x 62" (60 x 1575 mm) 657 - 3-1/2" diameter x 100" (89 x 2540 mm) 684 - 2-3/8" diameter x 76" (60 x 1930 mm) |
| Capacity | 647 - 5,000 lbs. (2268 kg) 59" (1500 mm) between grooves 657 - 7,500 lbs. (2388 kg) 94" (2540 mm) between grooves 684 - 5,000 lbs. (2268 kg) 73" (1854 mm) between grooves |
| Weight | 647 - 42 lbs. (19 kg) 657 - 124 lbs. (56 kg) 684 - 50 lbs. (23 kg) |

| CAT. NO. | UPC NO. | DESCRIPTION |
|----------|---------|-----------------------------------|
| 647 | 15321 | Spindle for 687 Reel Stand |
| 657 | 21980 | Spindle for 656 Reel Stand (only) |
| 684 | 15375 | Spindle for 683 Reel Stand |

Reel Rollers



39660



39661

- Heavy-duty welded steel construction
- Built-in loading ramps
- Adjustable to various reel widths and diameters (21" dia. min.)
- Roller locks for unloading
- Side ball rollers for centering
- Fast, convenient ground-level setup for paying out large cable reels

SPECIFICATIONS

| | |
|-----------------|--|
| Size | 39660 - 32" (813 mm) L x 34" (864 mm) W, 87 lbs. (39 kg) |
| | 39661 - 32" (813 mm) L x 11" (279 mm) W, 45 lbs. (20 kg) |
| Capacity | 39664 - 48" (1067 mm) L, 9 lbs. (4 kg) |
| | 39666 - 32" (813 mm) L x 48" (1219 mm) W, 99 lbs. (45 kg) |
| | 39660 - 2,500 lbs. (1134 kg) 30" (762 mm) max reel width |
| | 39661 - 2,000 lbs. (902 kg) per pair, 42" (1067 mm) max reel width |
| | 39666 - 2,000 lbs. (902 kg) 42" (1067 mm) max reel width |

| CAT. NO. | UPC NO. | DESCRIPTION |
|----------|---------|--|
| 39660 | 39660 | Reel Roller, single platform roller |
| 39661 | 39661 | Reel Roller, single (two required) |
| 39664 | 39664 | Spreader Kit, two 48" spreader bars |
| 39666 | 39666 | Reel Roller Kit, (includes two 39661 rollers and one 39664 spreader kit) |

Rope Stands

- Use to organize and rewind rope
- Welded steel with washer and spring clip to hold rope reel on stand



654



405

See page 203 for rope

| ROPE DIAMETER | UPS NO. | 3/16" | 1/4" | 3/8" | 1/2" | 9/16" | 5/8" | 3/4" | 7/8" |
|--|---------|--------|--------|--------|---------|---------|---------|---------|---------|
| | | 4.8 MM | 6.4 MM | 9.5 MM | 12.7 MM | 14.3 MM | 15.9 MM | 19.1 MM | 22.2 MM |
| 405 Rope Stand 250' (76 m) Rope 600' (182 m) Rope | 21546 | ✓ | ✓ | | | | | | |
| | | ✓ | | | | | | | |
| 406 Rope Stand 300' (91 m) Rope 600' (182 m) Rope 1,000' (305 m) Rope 3,000' (914 m) Conduit Measuring Tape Measuring Tape Cat./UPC No. | 21550 | | ✓ | ✓ | ✓ | | | | |
| | | ✓ | ✓ | | | | | | |
| | | | | ✓ | ✓ | ✓ | | | |
| 644 Rope Stand 300' (91 m) 600' (182 m) 1,200' (365 m) | 15316 | | | ✓ | ✓ | ✓ | ✓ | | |
| | | | | | ✓ | ✓ | ✓ | ✓ | |
| | | | | | ✓ | | | | |
| 654 Rope Stand 300' (91 m) 600' (182 m) | 34362 | | | | | | | ✓ | ✓ |
| | | | | | | | | ✓ | ✓ |

SPECIFICATIONS

| rope stand model | weight | spindle diameter | maximum reel diameter | maximum reel width |
|------------------|--------------------|------------------|-----------------------|--------------------|
| 405 | 5.2 lbs (2.4 kg) | 1.50" (38 mm) | 10" | 6" |
| 406 | 7.8 lbs (3.5 kg) | 0.62" (16 mm) | 13" | 9" |
| 644 | 11 lbs (5 kg) | 1.50" (38 mm) | 17" | 16" |
| 654 | 32.1 lbs (14.6 kg) | 1.90" (48 mm) | 24" | 19" |

Greenlee Green Spray Touch-up Paint



22618

- Closely matches Greenlee painted products

| CAT. NO. | UPC NO. | DESCRIPTION | WEIGHT | |
|----------|---------|---|--------|----|
| | | | LBS. | KG |
| 22618 | 22618 | 13 oz. (384 ml) Aerosol Can of Greenlee Green Spray Paint | 1.2 | .5 |
| 10378 | 10378 | 13 oz. (384 ml) Aerosol Can of Greenlee Flat Green Spray Paint* | 1.2 | .5 |

*NOTE: The color green is a registered trademark for Test Instruments, Job Boxes, Benders and Pulling Equipment.
Storage Box

NOTES