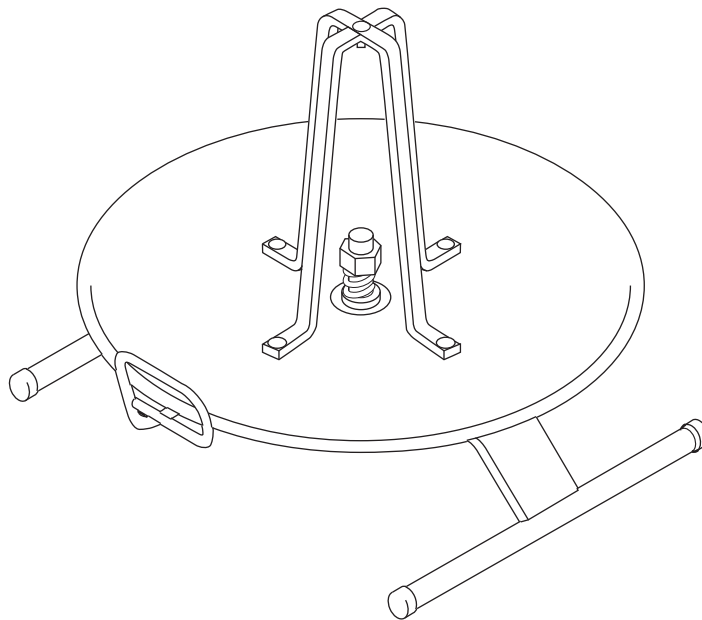


INSTRUCTION MANUAL



37218

BX-Armored Cable Dispenser



Read and understand all of the instructions and safety information in this manual before operating or servicing this tool.

Register this product at www.greenlee.com

IMPORTANT SAFETY INFORMATION



SAFETY ALERT SYMBOL

This symbol is used to call your attention to hazards or unsafe practices which could result in an injury or property damage. The signal word, defined below, indicates the severity of the hazard. The message after the signal word provides information for preventing or avoiding the hazard.

⚠ DANGER

Immediate hazards which, if not avoided, **WILL** result in severe injury or death.

⚠ WARNING

Hazards which, if not avoided, **COULD** result in severe injury or death.

⚠ CAUTION

Hazards or unsafe practices which, if not avoided, **MAY** result in injury or property damage.



⚠ CAUTION

Do not stand on unit. Dispenser will spin or tip. Failure to observe this precaution may result in injury or property damage.

⚠ CAUTION

- Remove cable before transporting or moving the 37218 dispenser.
 - Use proper lifting techniques to load cable onto dispenser.
 - Keep clear of rotating dispenser.
 - Do not exceed the design capacity of the dispenser.
- Failure to observe these precautions may result in injury or property damage.

Specifications

Size: 342.9 mm H x 660.4 mm diameter (13-1/2" x 26")

Capacity: One 76.2 m (250') coil of 14/2, 14/3, 12/2, or 12/3 armored cable or ROMEX® nonmetallic electrical wire

Weight: 14.1 kg (31 lb)

Features

- Rotates freely for smooth feeding.
- Feeding eye rotates fully for pulling in any direction.
- All metal construction for durability.

Instructions for Use

1. Place coil on plate over center guides. Remove coil straps or wires. For ROMEX® wire, remove from box before placing on unit.
2. Find free end of cable on outside of coil, and then feed through guide.
3. Adjust feeding resistance by turning hex nut located at the center of the plate to desired drag.

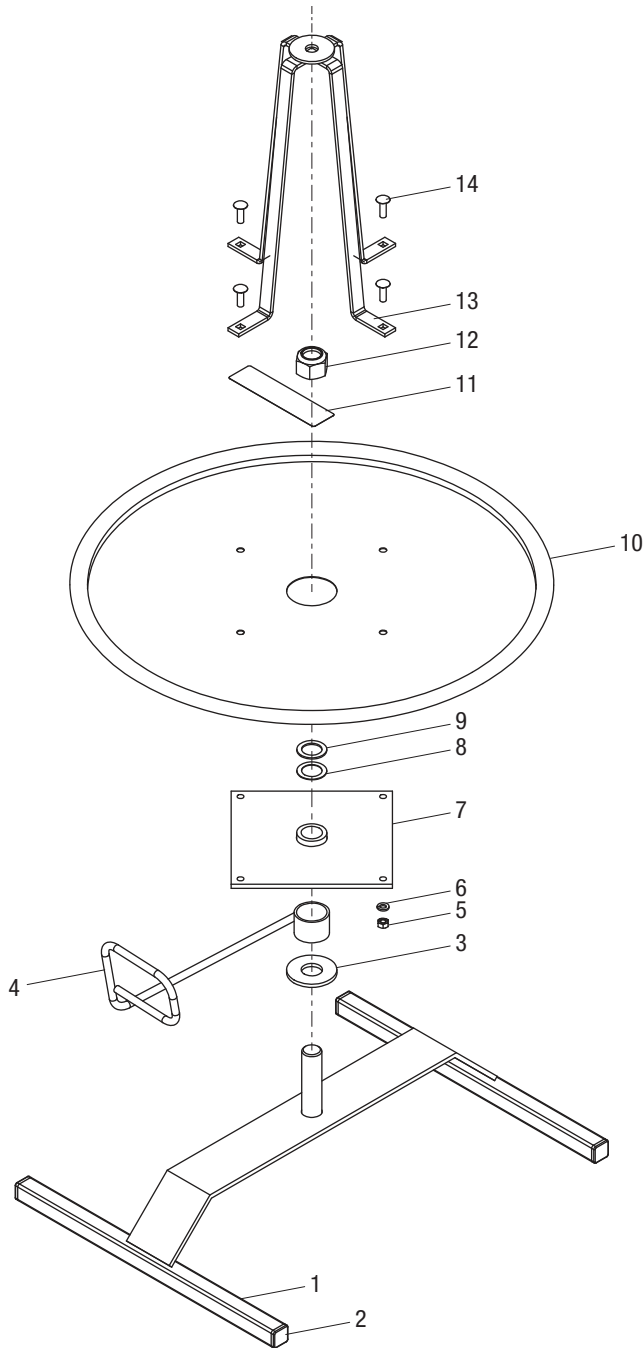
Other Greenlee Products for Use with Armored Cable

- 1940 BX-Cutter
- 916 Cable Reel Transporter

All specifications are nominal and may change as design improvements occur. Greenlee Textron Inc. shall not be liable for damages resulting from misapplication or misuse of its products. ROMEX is a registered trademark of Southwire Company.

KEEP THIS MANUAL

Illustration and Parts List



Item	Part No.	Description	Qty
1	52064129	Frame weldment	1
2		Tube plug, 1" x 1" x 16 ga. sq. end	4
3		Washer, flat, 1.06 x 2.50 x 1.65.....	1
4	50372130	Guide weldment, feed.....	1
5		Nut, hex, 5/16-18 full.....	4
6		Lock washer, .323 x .586 x .078 spring	4
7	50372122	Support weldment, turntable	1
8		Washer, 1-1/2 x 1 x .041 nylon	1
9		Washer, flat, 1.00 x 1.50 x .075 ST	1
10	52064206	Plate, turntable.....	1
11	50372599	Decal, identification	1
12		Locknut, hex, 1-8.....	1
13	52064202	Bracket weldment, center.....	1
14		Carriage bolt, 5/16 x 1.00	4



4455 Boeing Drive • Rockford, IL 61109-2988 • USA • 815-397-7070
An ISO 9001 Company • Greenlee Textron Inc. is a subsidiary of Textron Inc.

www.greenlee.com

USA Tel: 800-435-0786
Fax: 800-451-2632

Canada Tel: 800-435-0786
Fax: 800-524-2853

International Tel: +1-815-397-7070
Fax: +1-815-397-9247