

LC-500 LAUNCH CABLE

ELIMINATE DEAD ZONES:

Long OTDR pulse widths are suppressed

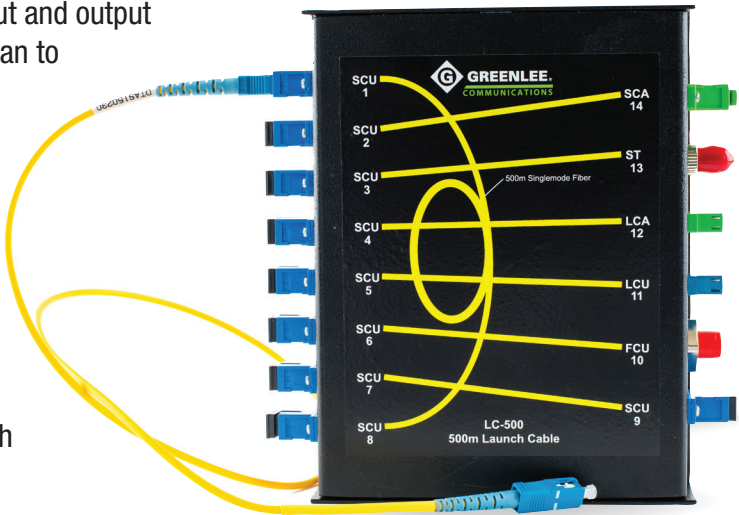
UNIVERSAL, COMPACT DESIGN:

No need for multiple launch cables for varying network connectors

Typically the technician will use a launch cable on the input and output connectors of the fiber under test. This allows the technician to characterize the insertion and return loss of the input and output connectors of fiber link. Supports SC, LC, FC, and ST connectors (APC + UPC as appropriate).

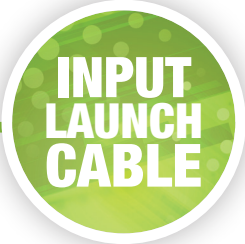
It is recommended that a one meter patch cord is used at the 930XC OTDR bulkhead. Please refer to the application note "Using a one meter Jumper at the bulkhead".

The LC-500 can be stored in the 930XC soft carry bag with the 930XC OTDR. Additional 930XC soft carry bags can be ordered separately if two launch cables are used.

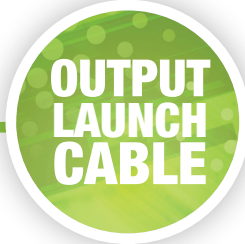


930XC OTDR

1M PATCH CORD



Fiber Under Test



ORDERING INFORMATION

CAT NO.	UPC NO.	DESCRIPTION
LC-500	05625	500m Launch Cable, Singlemode
20988	20988	Soft Carry Case - Holds up to two LC-500

